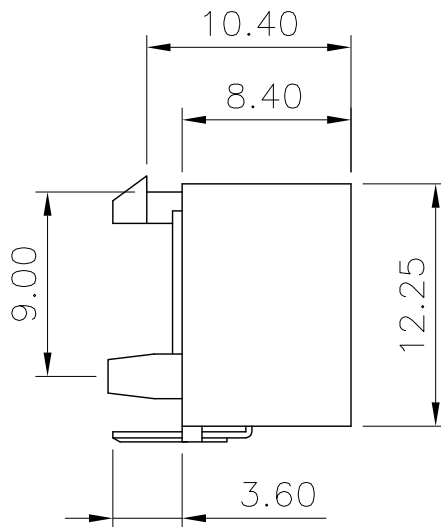
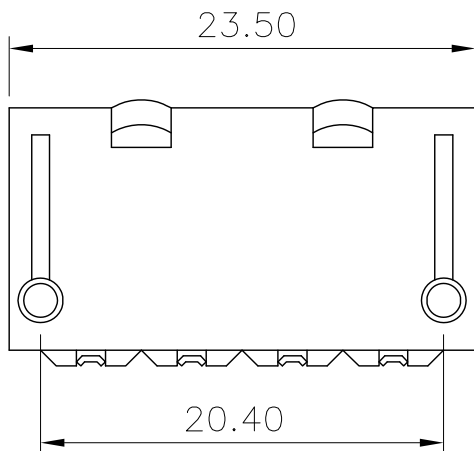


RECOMMENDED PCB LAYOUT



REVISIONS				
LTR	DESCRIPTION	DATE	DWN	APVD
A	RELEASED	01Jan16	AW	WK

产品规范 PRODUCT SPECIFICATION

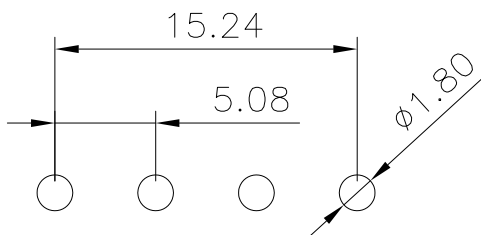
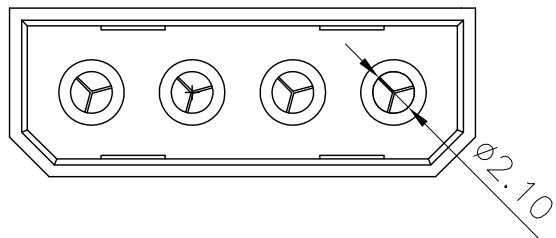
1. 绝缘材质 INSULATOR MATERIAL : POLYESTER, UL94V-0 .
2. 端子材质 TERMINAL MATERIAL : COPPER ALLOY .
3. 端子电镀 FINISH : TIN PLATED OVER NICKEL .
4. 额定电流 CURRENT RATING : 10 AMPERE .
5. 绝缘阻抗 INSULATION RESISTANCE : 1000M OHMS MIN .
6. 耐电压 DIELECTRIC WITHSTANDING VOLTAGE : 1500 V /1 MINUTE .
7. 接触阻抗 CONTACT RESISTANCE : 初期 Initial : 10 m Ohm Max . ;
测试后 Final : 40 m Ohm Max . .
8. 操作温度范围 OPERATING TEMPERATURE : - 25°C to +85°C .

YL030-001-XXX
PART NUMBER

THIS DRAWING IS A CONTROLLED DOCUMENT.		DWN A. WU 01Jan2016	东莞市宇亮电子有限公司 DONG GUAN YU LIANG ELECTRONICS CO.,LTD	
DIMENSIONS: mm		CHEK S. CHIEN 01Jan2016		
TOLERANCES UNLESS OTHERWISE SPECIFIED:		APVD Abel 01Jan2016	NAME 5.08 MM PITCH WAFER 大4PIN 90度	
 THIRD ANGLE PROJECTION		PRODUCT SPEC —	SIZE A4	DRAWING No. Y=YL030-001
0 PLC ± 0.50 1 PLC ± 0.30 2 PLC ± 0.20 3 PLC ± 0.15 4 PLC ± — ANGLES ± 3°		WEIGHT —	CUSTOMER DRAWING	
		SCALE 1 : 1	SHEET 1 of 1	



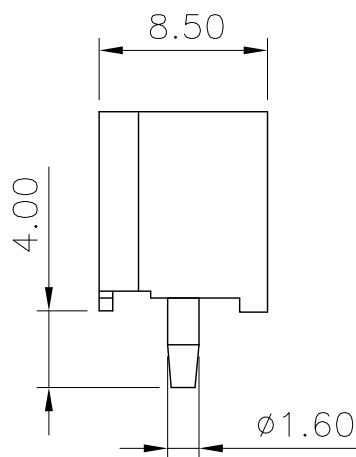
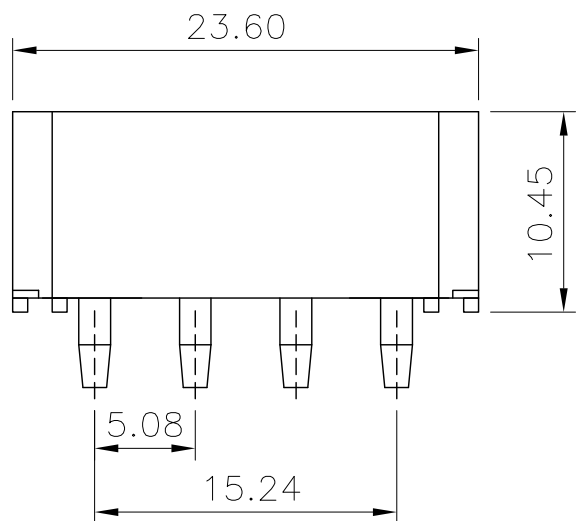
REVISIONS				
LTR	DESCRIPTION	DATE	DWN	APVD
A	RELEASED	01Jan16	AW	WK



RECOMMENDED PCB LAYOUT

产品规范 PRODUCT SPECIFICATION

1. 绝缘材质 INSULATOR MATERIAL : POLYESTER, UL94V-0 .
2. 端子材质 TERMINAL MATERIAL : COPPER ALLOY .
3. 端子电镀 FINISH : TIN PLATED OVER NICKEL .
4. 额定电流 CURRENT RATING : 10 AMPERE .
5. 绝缘阻抗 INSULATION RESISTANCE : 1000M OHMS MIN .
6. 耐电压 DIELECTRIC WITHSTANDING VOLTAGE : 1500 V /1 MINUTE .
7. 接触阻抗 CONTACT RESISTANCE : 初期 Initial : 10 m Ohm Max. ;
测试后 Final : 40 m Ohm Max. .
8. 操作温度范围 OPERATING TEMPERATURE : - 25°C to +85°C .



YLO30-002-XXX
PART NUMBER

THIS DRAWING IS A CONTROLLED DOCUMENT.		DWN A. WU 01Jan2016	东莞市宇亮电子有限公司 DONG GUAN YU LIANG ELECTRONICS CO., LTD													
DIMENSIONS: mm		CHEK S. CHIEN 01Jan2016			NAME											
TOLERANCES UNLESS OTHERWISE SPECIFIED:		APVD Abel 01Jan2016	5.08 MM PITCH WAFER 大4PIN.													
THIRD ANGLE PROJECTION		PRODUCT SPEC —	SIZE A4	DRAWING No. YLO30-002												
<table border="0"> <tr><td>0 PLC</td><td>± 0.50</td></tr> <tr><td>1 PLC</td><td>± 0.30</td></tr> <tr><td>2 PLC</td><td>± 0.20</td></tr> <tr><td>3 PLC</td><td>± 0.15</td></tr> <tr><td>4 PLC</td><td>± —</td></tr> <tr><td>ANGLES</td><td>± 3°</td></tr> </table>		0 PLC	± 0.50	1 PLC	± 0.30	2 PLC	± 0.20	3 PLC	± 0.15	4 PLC	± —	ANGLES	± 3°	WEIGHT —	CUSTOMER DRAWING	
0 PLC	± 0.50															
1 PLC	± 0.30															
2 PLC	± 0.20															
3 PLC	± 0.15															
4 PLC	± —															
ANGLES	± 3°															
		SCALE 1 : 1	SHEET 1 of 1													